

BALLASTED PODS

Ballasted (non-penetrating) concealment pods are a great solution for disguising rooftop antennas. The ballasted pods are comprised of a steel frame, center mast pipe, steel clamp-on bulkheads and a radome. In order to streamline this product, STEALTH® offers two standard ballasted frames that are designed to accommodate the antennas and radomes. The Small Ballasted Pod Frame is ideal for small cell projects. Our Large Ballasted Pod Frame gives ample room for most macro sites. These standard frames allow for reduced engineering cost and lead time plus the optimized framing material makes manufacturing and installation a breeze. For additional information on radome sizes available per frame, please view the load tables on the following pages.

STANDARD BALLASTED POD FRAMES

*Radome and attachment bulkheads provided with every pod; see following pages for available sizes.

Part # SCS-3-10

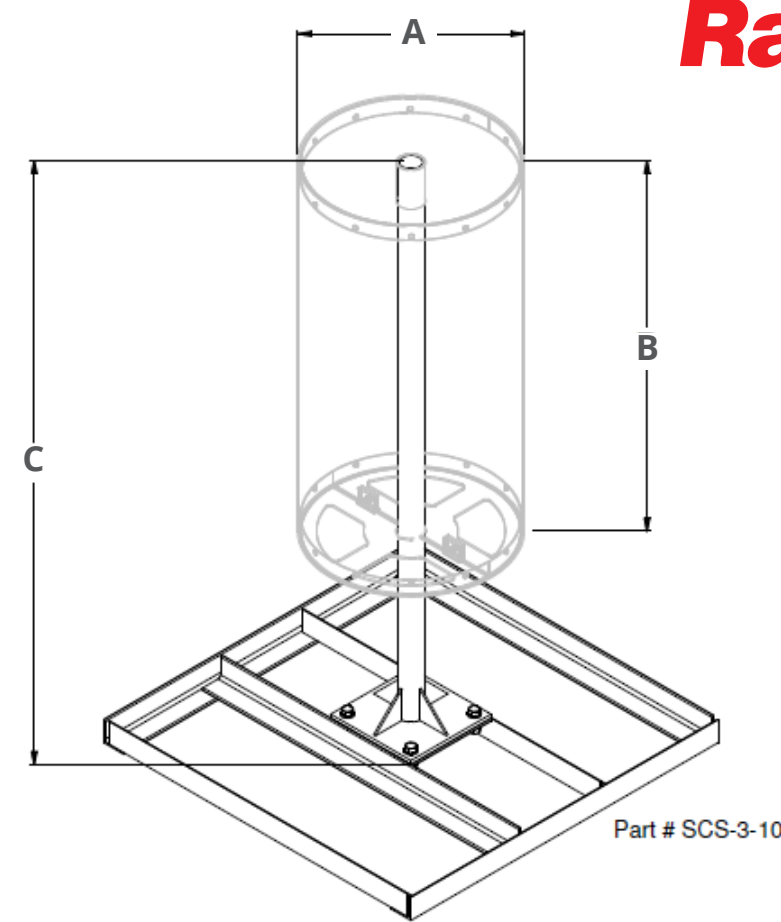
SMALL BALLASTED POD FEATURES

- 3'-10" x 3'-10" frame with 2 ballast trays
- Up to 6' overall height with 5' radome
- Radome up to 36" O.D.
- 2-½" SCH 40 center mast

Part # SCS-5-8

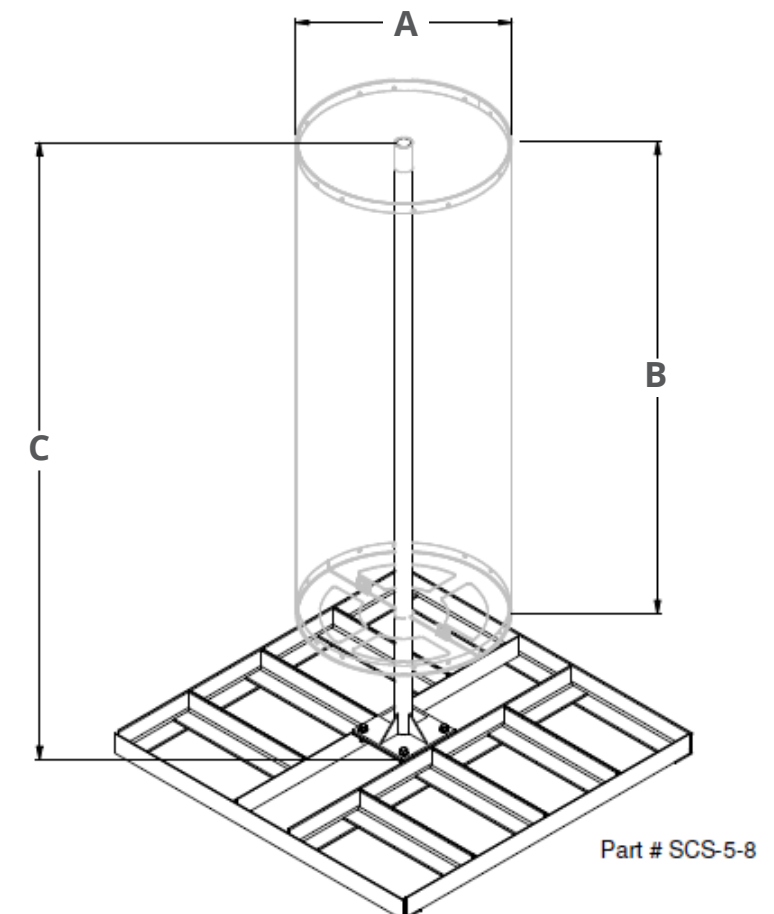
LARGE BALLASTED POD FEATURES

- 5'-8" x 5'-8" frame with 4 ballast trays
- Up to 10' overall height with 9' radome
- Radome up to 36" O.D.
- 3" SCH 40 center mast



Part # SCS-3-10

Raycap | STEALTH®



Part # SCS-5-8

Part # SCS-3-10

3'10" x 3'10" Frame with 2-1/2" Standard Pipe

Part # SCS-3-10

3'10" x 3'10" Frame with 2-1/2" Standard Pipe

A Radome O.D.	B Radome Height	Wind Pressure, PSF	C Top of Radome Above Frame Base					
			4'-0"		5'-0"		6'-0"	
			Ballast Wt	Roof psf	Ballast Wt	Roof psf	Ballast Wt	Roof psf
18"	3'-0"	15	75	15	75	15	75	16
		20	75	15	80	16	130	19
		25	75	15	120	18	180	23
		30	90	16	160	21	230	26
		35	120	18	200	24	290	30
		40	160	21	240	27	340	34
		45	190	23	290	30	390	37
		50	210	24	330	33	450	41
		55	240	26	370	35		
		60	270	28	410	38		
		65	300	30	450	41		
		70	330	32				
		75	370	35				
80	390	36						

A Radome O.D.	B Radome Height	Wind Pressure, PSF	C Top of Radome Above Frame Base					
			4'-0"		5'-0"		6'-0"	
			Ballast Wt	Roof psf	Ballast Wt	Roof psf	Ballast Wt	Roof psf
20"	3'-0"	15	75	15	75	16	90	17
		20	75	15	100	17	150	21
		25	80	15	150	21	210	25
		30	110	18	190	23	270	29
		35	150	20	230	26	330	33
		40	180	22	280	30	380	37
		45	210	24	320	32	440	41
		50	240	26	370	36		
		55	280	29	420	39		
		60	310	31				
		65	340	33				
		70	380	36				
		75	410	38				
80	440	40						

A Radome O.D.	B Radome Height	Wind Pressure, PSF	C Top of Radome Above Frame Base					
			4'-0"		5'-0"		6'-0"	
					Ballast Wt	Roof psf	Ballast Wt	Roof psf
18"	4'-0"	15			75	16	100	18
		20			100	18	160	22
		25			150	21	230	27
		30			190	24	280	30
		35			240	27	350	35
		40			290	31	420	40
		45			340	34		
		50			380	37		
		55			430	40		

A Radome O.D.	B Radome Height	Wind Pressure, PSF	C Top of Radome Above Frame Base					
			4'-0"		5'-0"		6'-0"	
					Ballast Wt	Roof psf	Ballast Wt	Roof psf
20"	4'-0"	15			75	16	110	19
		20			120	19	180	24
		25			170	23	260	29
		30			220	26	320	33
		35			270	30	390	38
		40			330	34	460	43
		45			380	37		
		50			430	40		
		55			430	40		

A Radome O.D.	B Radome Height	Wind Pressure, PSF	C Top of Radome Above Frame Base					
			4'-0"		5'-0"		6'-0"	
							Ballast Wt	Roof psf
18"	5'-0"	15					110	19
		20					180	24
		25					250	29
		30					310	33
		35					380	38
		40					450	43

A Radome O.D.	B Radome Height	Wind Pressure, PSF	C Top of Radome Above Frame Base					
			4'-0"		5'-0"		6'-0"	
							Ballast Wt	Roof psf
20"	5'-0"	15					130	21
		20					200	26
		25					290	32
		30					360	37
		35					430	42
		40					510	47

Part # SCS-3-10

3'10" x 3'10" Frame with 2-1/2" Standard Pipe

A Radome O.D.	B Radome Height	Wind Pressure, PSF	C Top of Radome Above Frame Base					
			4'-0"		5'-0"		6'-0"	
			Ballast Wt	Roof psf	Ballast Wt	Roof psf	Ballast Wt	Roof psf
24"	3'-0"	15	75	16	75	16	120	19
		20	75	16	130	20	190	24
		25	110	18	190	24	270	30
		30	150	21	240	27	330	34
		35	190	23	300	31	400	39
		40	220	25	350	35		
		45	270	29	400	38		
		50	310	32	460	42		
		55	340	34				
		60	380	36				
		65	420	39				

A Radome O.D.	B Radome Height	Wind Pressure, PSF	C Top of Radome Above Frame Base					
			4'-0"		5'-0"		6'-0"	
					Ballast Wt	Roof psf	Ballast Wt	Roof psf
24"	4'-0"	15			90	18	150	22
		20			150	22	240	28
		25			220	27	320	34
		30			280	31	400	39
		35			340	35		
		40			410	40		

A Radome O.D.	B Radome Height	Wind Pressure, PSF	C Top of Radome Above Frame Base					
			4'-0"		5'-0"		6'-0"	
							Ballast Wt	Roof psf
24"	5'-0"	15					170	25
		20					260	31
		25					360	37
		30					440	43

Part # SCS-3-10

3'10" x 3'10" Frame with 2-1/2" Standard Pipe

A Radome O.D.	B Radome Height	Wind Pressure, PSF	C Top of Radome Above Frame Base					
			4'-0"		5'-0"		6'-0"	
			Ballast Wt	Roof psf	Ballast Wt	Roof psf	Ballast Wt	Roof psf
30"	3'-0"	15	75	16	110	19	170	24
		20	100	18	180	24	260	30
		25	160	22	250	29	340	35
		30	200	25	320	33	430	41
		35	250	28	390	38		
		40	300	32				
		45	350	35				
		50	400	38				

A Radome O.D.	B Radome Height	Wind Pressure, PSF	C Top of Radome Above Frame Base					
			4'-0"		5'-0"		6'-0"	
					Ballast Wt	Roof psf	Ballast Wt	Roof psf
30"	4'-0"	15			130	21	210	27
		20			210	27	310	35
		25			290	32	410	42
		30			370	38		

A Radome O.D.	B Radome Height	Wind Pressure, PSF	C Top of Radome Above Frame Base					
			4'-0"		5'-0"		6'-0"	
			Ballast Wt	Roof psf	Ballast Wt	Roof psf	Ballast Wt	Roof psf
30"	5'-0"	15					230	30
		20					340	37

Part # SCS-3-10

3'10" x 3'10" Frame with 2-1/2" Standard Pipe

A Radome O.D.	B Radome Height	Wind Pressure, PSF	C Top of Radome Above Frame Base					
			4'-0"		5'-0"		6'-0"	
			Ballast Wt	Roof psf	Ballast Wt	Roof psf	Ballast Wt	Roof psf
36"	3'-0"	15	80	17	150	22	210	27
		20	140	21	230	28	320	34
		25	200	25	320	34	440	43
		30	250	29	390	39		
		35	310	33	480	45		
		40	380	38				
		45	440	42				

A Radome O.D.	B Radome Height	Wind Pressure, PSF	C Top of Radome Above Frame Base					
			4'-0"		5'-0"		6'-0"	
					Ballast Wt	Roof psf	Ballast Wt	Roof psf
36"	4'-0"	15			170	25	260	32
		20			270	30	390	40
		25			360	36		
		30			450	42		

A Radome O.D.	B Radome Height	Wind Pressure, PSF	C Top of Radome Above Frame Base					
			4'-0"		5'-0"		6'-0"	
							Ballast Wt	Roof psf
36"	5'-0"	15					290	35
		20					430	44

1. Ballast weights calculations exclude bulkhead and equipment weights.
2. Final ballast weight requirement may vary slightly.
3. Structural analysis and capacity of the existing structure must be verified by others.

Ballast Frame Preliminary Ballast Weight Calculations Assumptions:

- Wind pressures are calculated based on ASCE 7-10 standard. Occupancy Category II, with no topographic effects.
- Snow, ice, and seismic effects are NOT considered.
- Factor of Safety 1.0 is used.
- When computing the resisting moment, the dead load (DL) of the frame, etc. is multiplied by 0.6 per ASD load combinations. Ballast weight is not reduced by this factor.
- Coefficient of friction of 0.90 is assumed (neoprene mat on a clean roof surface). Coefficient of friction must be determined based on materials in contact.

Part # SCS-5-8
5'8" x 5'8" Frame with 3" STD pipe

A Radome O.D.	B Radome Height	Wind Pressure, PSF	C Top of Radome Above Frame Base									
			6'-0"		7'-0"		8'-0"		9'-0"		10'-0"	
			Ballast Wt	Roof psf	Ballast Wt	Roof psf	Ballast Wt	Roof psf	Ballast Wt	Roof psf	Ballast Wt	Roof psf
18"	5'-0"	15	100	18	100	18	100	18	100	19	100	19
		20	100	18	100	18	100	18	100	19	110	19
		25	100	18	100	18	100	18	150	20	200	22
		30	100	18	100	18	150	20	230	23	310	25
		35	100	18	140	19	230	22	320	25	410	28
		40	100	18	200	21	300	25	400	28	510	32
		45	140	19	250	23	370	27	490	31	590	34
		50	190	21	320	25	450	29	570	33	700	38
		55	230	22	380	27	520	31	650	36	800	41
		60	280	24	440	29	590	34	740	39		
		65	330	25	500	31	660	36	830	41		
		70	370	26	550	32	740	38				
		75	420	28	610	34	810	40				
		80	470	29	670	36	880	43				
		85	510	31	730	38						
90	560	32	790	40								

A Radome O.D.	B Radome Height	Wind Pressure, PSF	C Top of Radome Above Frame Base									
			6'-0"		7'-0"		8'-0"		9'-0"		10'-0"	
					Ballast Wt	Roof psf	Ballast Wt	Roof psf	Ballast Wt	Roof psf	Ballast Wt	Roof psf
18"	6'-0"	15			100	18	100	19	100	19	100	19
		20			100	18	100	19	100	19	150	21
		25			100	18	110	19	190	22	260	24
		30			100	18	190	21	280	25	370	28
		35			160	20	270	24	380	28	490	31
		40			230	22	340	26	470	30	600	35
		45			280	24	420	29	570	34	710	38
		50			350	26	510	31	670	37	810	41
		55			410	28	590	34	760	39		
		60			480	30	670	36	860	43		
		65			540	32	740	39				
		70			600	34	820	41				
		75			660	36						
		80			740	38						
		85			800	40						

Part # SCS-5-8

5'8" x 5'8" Frame with 3" STD pipe

A Radome O.D.	B Radome Height	Wind Pressure, PSF	C Top of Radome Above Frame Base									
			6'-0"		7'-0"		8'-0"		9'-0"		10'-0"	
							Ballast Wt	Roof psf	Ballast Wt	Roof psf	Ballast Wt	Roof psf
18"	7'-0"	15					100	19	100	19	100	19
		20					100	19	110	20	180	22
		25					130	20	220	23	310	26
		30					200	22	310	26	420	29
		35					290	25	420	29	550	33
		40					370	27	520	32	660	37
		45					450	30	620	35	790	41
		50					540	33	730	39		
		55					620	35	830	42		
		60					710	38				
65					800	41						

A Radome O.D.	B Radome Height	Wind Pressure	C Top of Radome Above Frame Base										
			6'-0"		7'-0"		8'-0"		9'-0"		10'-0"		
											Ballast Wt	Roof psf	
18"	9'-0"	15										100	20
		20										210	23
		25										350	28
		30										470	32
		35										610	36
		40										730	40

Part # SCS-5-8
5'8" x 5'8" Frame with 3" STD pipe

A Radome O.D.	B Radome Height	Wind Pressure, PSF	C Top of Radome Above Frame Base									
			6'-0"		7'-0"		8'-0"		9'-0"		10'-0"	
			Ballast Wt	Roof psf	Ballast Wt	Roof psf	Ballast Wt	Roof psf	Ballast Wt	Roof psf	Ballast Wt	Roof psf
20"	5'-0"	15	100	18	100	18	100	19	100	19	100	19
		20	100	18	100	18	100	19	100	19	150	21
		25	100	18	100	18	110	19	200	22	270	24
		30	100	18	110	19	200	22	290	25	370	27
		35	100	18	180	21	280	24	380	27	490	31
		40	130	19	240	23	360	27	480	31	590	34
		45	180	21	310	25	440	29	570	33	710	38
		50	240	22	380	27	520	32	660	36	810	41
		55	280	24	450	29	610	34	750	39		
		60	340	26	510	31	690	37	850	42		
		65	390	27	580	33	760	39				
		70	440	29	640	35	850	42				
		75	500	31	710	37						
		80	550	32	770	39						
		85	600	34	840	41						
90	640	35										

A Radome O.D.	B Radome Height	Wind Pressure, PSF	C Top of Radome Above Frame Base									
			6'-0"		7'-0"		8'-0"		9'-0"		10'-0"	
					Ballast Wt	Roof psf	Ballast Wt	Roof psf	Ballast Wt	Roof psf	Ballast Wt	Roof psf
20"	6'-0"	15			100	19	100	19	100	19	100	19
		20			100	19	100	19	130	20	200	22
		25			100	19	150	20	230	23	320	26
		30			130	20	240	23	340	27	450	30
		35			200	22	330	26	450	30	570	34
		40			270	24	410	28	550	33	690	38
		45			340	26	500	31	660	37	820	42
		50			420	29	600	34	770	40		
		55			490	31	680	37	880	43		
		60			560	33	770	40				
		65			630	35	850	42				
		70			700	37						
		75			760	39						
		80			850	42						

Part # SCS-5-8

5'8" x 5'8" Frame with 3" STD pipe

A Radome O.D.	B Radome Height	Wind Pressure, PSF	C Top of Radome Above Frame Base									
			6'-0"		7'-0"		8'-0"		9'-0"		10'-0"	
							Ballast Wt	Roof psf	Ballast Wt	Roof psf	Ballast Wt	Roof psf
20"	7'-0"	15					100	19	100	19	100	20
		20					100	19	150	21	230	24
		25					160	21	260	24	360	28
		30					260	24	380	28	500	32
		35					350	27	490	32	640	36
		40					440	30	600	35	770	40
		45					530	33	720	39		
		50					630	36	840	42		
		55					720	38				
		60					820	42				

A Radome O.D.	B Radome Height	Wind Pressure, PSF	C Top of Radome Above Frame Base									
			6'-0"		7'-0"		8'-0"		9'-0"		10'-0"	
							Ballast Wt	Roof psf	Ballast Wt	Roof psf	Ballast Wt	Roof psf
20"	8'-0"	15						100	20	110	20	
		20						160	22	250	25	
		25						270	25	390	29	
		30						400	29	540	34	
		35						520	33	680	38	
		40						630	36	820	42	
		45						750	40			

A Radome O.D.	B Radome Height	Wind Pressure	C Top of Radome Above Frame Base									
			6'-0"		7'-0"		8'-0"		9'-0"		10'-0"	
									Ballast Wt	Roof psf	Ballast Wt	Roof psf
20"	9'-0"	15								120	21	
		20								270	26	
		25								400	30	
		30								560	35	
		35								710	39	
		40								850	44	

Part # SCS-5-8
5'8" x 5'8" Frame with 3" STD pipe

A Radome O.D.	B Radome Height	Wind Pressure, PSF	C Top of Radome Above Frame Base									
			6'-0"		7'-0"		8'-0"		9'-0"		10'-0"	
			Ballast Wt	Roof psf	Ballast Wt	Roof psf	Ballast Wt	Roof psf	Ballast Wt	Roof psf	Ballast Wt	Roof psf
24"	5'-0"	15	100	18	100	19	100	19	100	19	100	19
		20	100	18	100	19	100	19	160	21	230	23
		25	100	18	110	19	190	22	270	24	360	27
		30	100	18	190	21	290	25	400	28	500	32
		35	150	20	270	24	390	28	510	32	620	36
		40	210	22	350	26	480	31	620	35	770	40
		45	270	24	420	29	580	34	740	39		
		50	330	26	510	31	690	37	850	42		
		55	390	27	590	34	780	40				
		60	450	29	670	36						
		65	520	31	750	39						
		70	580	33	820	41						
		75	650	35								
		80	710	37								
		85	770	39								
90	820	41										

A Radome O.D.	B Radome Height	Wind Pressure, PSF	C Top of Radome Above Frame Base									
			6'-0"		7'-0"		8'-0"		9'-0"		10'-0"	
					Ballast Wt	Roof psf	Ballast Wt	Roof psf	Ballast Wt	Roof psf	Ballast Wt	Roof psf
24"	6'-0"	15			100	19	100	19	100	20	140	21
		20			100	19	120	20	210	23	290	26
		25			120	20	220	23	330	27	430	30
		30			210	22	340	27	460	31	590	35
		35			300	25	440	30	590	35	740	40
		40			380	28	540	33	710	38		
		45			460	30	650	36	820	42		
		50			550	33	770	40				
		55			640	36						
		60			720	38						
		65			810	41						

Part # SCS-5-8

5'8" x 5'8" Frame with 3" STD pipe

A Radome O.D.	B Radome Height	Wind Pressure, PSF	C Top of Radome Above Frame Base									
			6'-0"		7'-0"		8'-0"		9'-0"		10'-0"	
							Ballast Wt	Roof psf	Ballast Wt	Roof psf	Ballast Wt	Roof psf
24"	7'-0"	15					100	20	100	20	170	22
		20					140	21	230	24	330	27
		25					240	24	360	28	490	32
		30					360	28	510	33	660	38
		35					470	31	650	37	820	43
		40					590	35	780	41		
		45					690	38				
		50					810	42				

A Radome O.D.	B Radome Height	Wind Pressure, PSF	C Top of Radome Above Frame Base									
			6'-0"		7'-0"		8'-0"		9'-0"		10'-0"	
							Ballast Wt	Roof psf	Ballast Wt	Roof psf	Ballast Wt	Roof psf
24"	8'-0"	15						100	20	180	23	
		20						250	25	360	29	
		25						380	29	520	34	
		30						530	34	720	40	
		35						670	38			
		40						830	43			

A Radome O.D.	B Radome Height	Wind Pressure	C Top of Radome Above Frame Base									
			6'-0"		7'-0"		8'-0"		9'-0"		10'-0"	
											Ballast Wt	Roof psf
24"	9'-0"	15									190	24
		20									370	29
		25									540	35
		30									720	40
		35									900	46

Part # SCS-5-8
5'8" x 5'8" Frame with 3" STD pipe

A Radome O.D.	B Radome Height	Wind Pressure, PSF	C Top of Radome Above Frame Base									
			6'-0"		7'-0"		8'-0"		9'-0"		10'-0"	
			Ballast Wt	Roof psf	Ballast Wt	Roof psf	Ballast Wt	Roof psf	Ballast Wt	Roof psf	Ballast Wt	Roof psf
30"	5'-0"	15	100	19	100	19	100	19	120	20	190	23
		20	100	19	100	19	180	22	270	25	340	27
		25	100	19	190	22	300	26	410	29	520	33
		30	170	21	300	25	430	30	560	34	690	38
		35	240	23	400	28	550	33	690	38	840	43
		40	320	26	510	32	670	37	850	43		
		45	400	28	590	34	790	41				
		50	480	31	700	38	920	45				
		55	550	33	800	41						
		60	630	35	900	44						
		65	710	38								
		70	780	40								
		75	870	43								

A Radome O.D.	B Radome Height	Wind Pressure, PSF	C Top of Radome Above Frame Base									
			6'-0"		7'-0"		8'-0"		9'-0"		10'-0"	
					Ballast Wt	Roof psf	Ballast Wt	Roof psf	Ballast Wt	Roof psf	Ballast Wt	Roof psf
30"	6'-0"	15			100	20	100	20	160	22	240	25
		20			110	20	220	24	320	27	410	30
		25			220	23	350	28	480	32	610	36
		30			330	27	480	32	640	37	800	42
		35			430	30	620	36	810	42		
		40			530	33	750	40				
		45			640	36	880	44				
		50			760	40						
55			860	43								

Part # SCS-5-8

5'8" x 5'8" Frame with 3" STD pipe

A Radome O.D.	B Radome Height	Wind Pressure, PSF	C Top of Radome Above Frame Base									
			6'-0"		7'-0"		8'-0"		9'-0"		10'-0"	
							Ballast Wt	Roof psf	Ballast Wt	Roof psf	Ballast Wt	Roof psf
30"	7'-0"	15					100	20	180	23	280	26
		20					240	25	360	29	480	33
		25					370	29	520	34	680	39
		30					510	33	700	39	890	45
		35					650	37	870	45		
		40					790	42				

A Radome O.D.	B Radome Height	Wind Pressure, PSF	C Top of Radome Above Frame Base									
			6'-0"		7'-0"		8'-0"		9'-0"		10'-0"	
							Ballast Wt	Roof psf	Ballast Wt	Roof psf	Ballast Wt	Roof psf
30"	8'-0"	15							190	24	300	27
		20							370	29	520	34
		25							540	35	720	41
		30							730	41	940	47
		35							910	46		

A Radome O.D.	B Radome Height	Wind Pressure	C Top of Radome Above Frame Base										
			6'-0"		7'-0"		8'-0"		9'-0"		10'-0"		
											Ballast Wt	Roof psf	
30"	9'-0"	15										310	28
		20										530	35
		25										740	42
		30										970	49

Part # SCS-5-8
5'8" x 5'8" Frame with 3" STD pipe

A Radome O.D.	B Radome Height	Wind Pressure PSF	C Top of Radome Above Frame Base									
			6'-0"		7'-0"		8'-0"		9'-0"		10'-0"	
			Ballast Wt	Roof psf	Ballast Wt	Roof psf	Ballast Wt	Roof psf	Ballast Wt	Roof psf	Ballast Wt	Roof psf
36"	5'-0"	15	100	19	100	20	120	20	200	23	280	26
		20	100	19	170	22	270	25	380	29	470	32
		25	160	21	300	26	430	30	560	34	680	38
		30	260	24	420	30	570	34	730	40	890	45
		35	340	27	530	33	720	39				
		40	440	30	660	37	850	43				
		45	530	33	760	40						
		50	620	36								
		55	710	38								
		60	810	41								

A Radome O.D.	B Radome Height	Wind Pressure PSF	C Top of Radome Above Frame Base									
			6'-0"		7'-0"		8'-0"		9'-0"		10'-0"	
					Ballast Wt	Roof psf	Ballast Wt	Roof psf	Ballast Wt	Roof psf	Ballast Wt	Roof psf
36"	6'-0"	15			100	20	150	22	250	25	340	28
		20			190	23	320	27	440	31	550	35
		25			320	27	470	32	620	37	780	42
		30			460	31	650	38	830	43		
		35			570	35	800	42				
		40			710	39						
		45			820	43						

A Radome O.D.	B Radome Height	Wind Pressure PSF	C Top of Radome Above Frame Base									
			6'-0"		7'-0"		8'-0"		9'-0"		10'-0"	
							Ballast Wt	Roof psf	Ballast Wt	Roof psf	Ballast Wt	Roof psf
36"	7'-0"	15					160	23	270	27	380	30
		20					340	28	480	33	630	38
		25					490	33	680	39	860	45
		30					690	39	890	46		
		35					840	44				

Part # SCS-5-8

5'8" x 5'8" Frame with 3" STD pipe

A Radome O.D.	B Radome Height	Wind Pressure PSF	C Top of Radome Above Frame Base									
			6'-0"		7'-0"		8'-0"		9'-0"		10'-0"	
									Ballast Wt	Roof psf	Ballast Wt	Roof psf
36"	8'-0"	15						290	28	410	32	
		20						500	34	670	40	
		25						700	40			

A Radome O.D.	B Radome Height	Wind Pressure PSF	C Top of Radome Above Frame Base									
			6'-0"		7'-0"		8'-0"		9'-0"		10'-0"	
											Ballast Wt	Roof psf
36"	9'-0"	15								420	33	
		20								690	41	
		25								940	49	

1. Ballast weights calculations exclude bulkhead and equipment weights.
2. Final ballast weight requirement may vary slightly.
3. Structural analysis and capacity of the existing structure must be verified by others.

Ballast Frame Preliminary Ballast Weight Calculations Assumptions:

- Wind pressures are calculated based on ASCE 7-10 standard. Occupancy Category II, with no topographic effects.
- Snow, ice, and seismic effects are NOT considered.
- Factor of Safety 1.0 is used.
- When computing the resisting moment, the dead load (DL) of the frame, etc. is multiplied by 0.6 per ASD load combinations. Ballast weight is not reduced by this factor.
- Coefficient of friction of 0.90 is assumed (neoprene mat on a clean roof surface). Coefficient of friction must be determined based on materials in contact.